

# T8V.320

## Specifications



<b>Power at crankshaft</b>	235 kW [320 hp]
<b>Displacement</b>	4.5 l [272 in <sup>3</sup> ]
<b>Configuration</b>	8 cylinders V design 90° 4 valves per cylinder
<b>Operation type</b>	4 stroke Diesel
<b>Bore &amp; Stroke</b>	86 x 96 mm [3.39 x 3.78 in]
<b>Compression ratio</b>	15.8:1
<b>Rated speed</b>	3800 rpm
<b>Idle speed</b>	550 rpm
<b>Peak torque</b>	745 Nm
<b>Peak torque speed</b>	2500 rpm
<b>Dry weight</b>	435 kg [959 lb]

<b>Engine base</b>	Toyota
<b>Fuel system</b>	Direct injection High pressure Common Rail Electronically controlled
<b>Air intake</b>	Twin turbocharger
<b>Cooling</b>	Closed cooling with heat exchanger
<b>Mounting angle</b>	7° Front up 7° Front down
<b>Alternator</b>	12 Volt 120 Amp
<b>Rating</b>	M6
<b>Emission compliance</b>	EPA marine Tier 3 RCD Stage 2 2013/53/EU

# T8V.320

235 kW [320 hp] @ 3800 rpm

## TECHNICAL DESCRIPTION

### Engine block

- 8 cylinders V design 90°
- 4 valves per cylinder
- Dual overhead camshafts (DOHC)
- Watercooled exhaust manifold
- Internal balancers

### Fuel system

- Common Rail fuel injection system
- Fuel filter with hand primer
- Integrated fuel cooler

### Lubrication system

- Replaceable full-flow oil filter
- Oil dipstick
- Transmission oil cooler

### Cooling system

- Closed cooling with heat exchanger
- Gear driven self-priming raw water pump
- Coolant circulating pump
- Water cooled exhaust elbow

### Electrical system & Instrumentation

- 12V 120A alternator
- 12V Electrical system
- Complete instrumentation including key switch and alarms
- Extension cable harness with plug-in connection

### Air intake

- Twin turbocharger
- Intercooler

### Other features

- Flexible engine mounting

### Optional equipment & accessories

- Complete marine propulsion systems
- Marine transmission adaptation kits
- Throttle and shift controls
- Additional instrumentation, Flying bridge extension harness
- Complete fuel systems
- Complete exhaust systems

## RATING

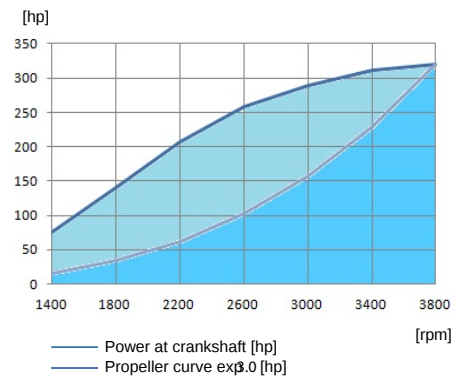
- Up to 500 annual operating hours
- Load factor up to 35%
- Full power for no more than 30 minutes out of each 8 hours of operation. The remaining operation time must be at or below cruising speed

## TRANSMISSIONS

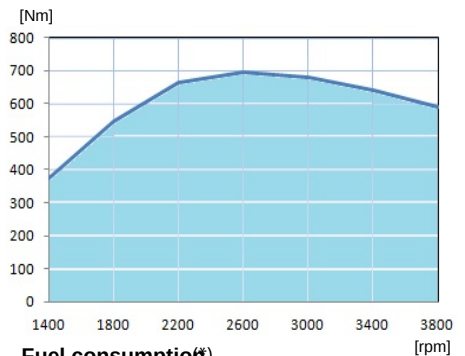
Contact your local dealer for more details and availability for transmission model and type.

## PERFORMANCE CURVES

### Power at crankshaft

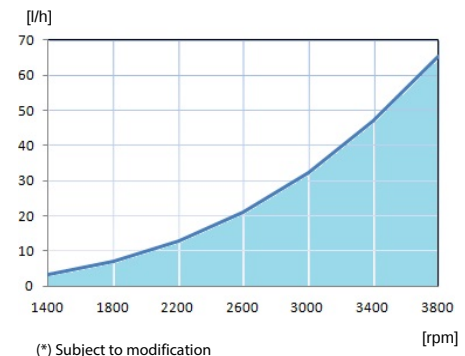


### Torque at crankshaft



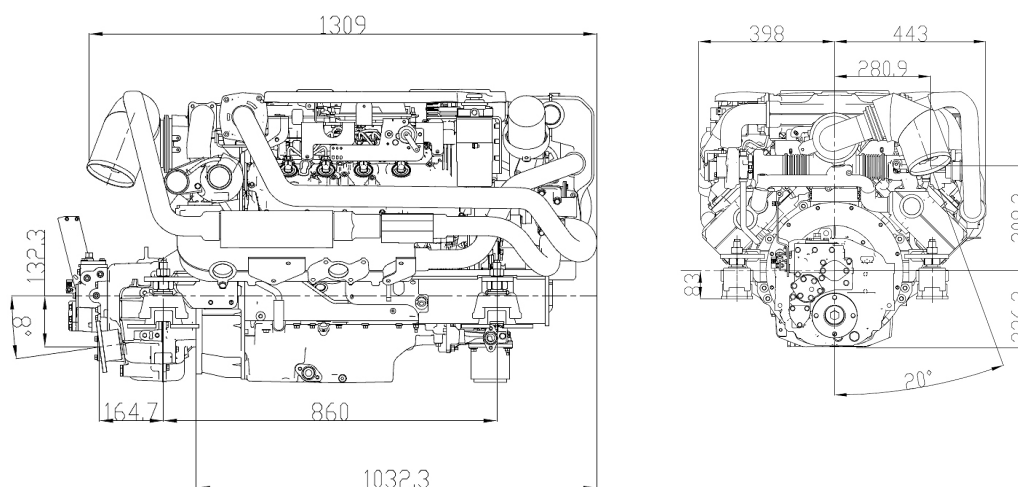
### Fuel consumption(f)

At calculated propeller load exβ.0



(\*) Subject to modification

## DIMENSIONS



## Nanni Diesel Australia

26/17-21 Bowden Street  
Alexandria, NSW. 2015  
Tel: +61 (0)2 9319 5222  
engines@nannidiesel.com.au

Technical data according to ISO 8665. Specifications are subject to change without notice. Images and illustrations may show non standard equipments. All combination of equipment & accessory are not available.

190914-ENG